



# ICM401A

## PHASE LOSS & REVERSAL PROTECTION



### MODE OF OPERATION

Upon wiring three phase voltage (180-600 VAC) to the **ICM401A** and connecting 24 VAC single-phase voltage to the Y & C terminals, the control will continuously monitor the three-phase line for phase loss and phase reversal. If all voltage conditions are within the specified range, a green light will illuminate on the **ICM401A**, and the Y-OUT terminal will be energized with 24 VAC. Upon a phase loss or a phase reversal, a red fault light will illuminate on the **ICM401A** indicating a fault is presently occurring and the Y-OUT terminal will be de-energized. Once the fault is no longer present and providing the 24 VAC control voltage is still applied at Y & C, the **ICM401A** will automatically re-energize the Y-OUT terminal.

### SPECIFICATIONS

#### Input

- **Voltage:** 180-600 VAC
- **Frequency:** 50-60 Hz
  - **Jumper Wire Cut:** 50 Hz

- **Control Voltage:** 18-32 VAC

#### Output

- **Ratings:**
  - **Type:** Relay
  - **Form:** SPST
  - **N.O.:** 6 amps @ 32 VAC max

### TROUBLESHOOTING

Red Status Light	Green Status Light	Output (Y-Out)	Operational Status or Fault Condition
OFF	ON	ON	Normal operation and voltage conditions are within the specified range.
ON	OFF	OFF	Phase loss or phase reversal detected. Check phase -phase voltages A-B, B-C, A-C.
OFF	OFF	OFF	24 VAC control voltage is not present

\*For any questions with installation or operation, please call our technical support hotline at 1-800-365-5525.

### CAUTION

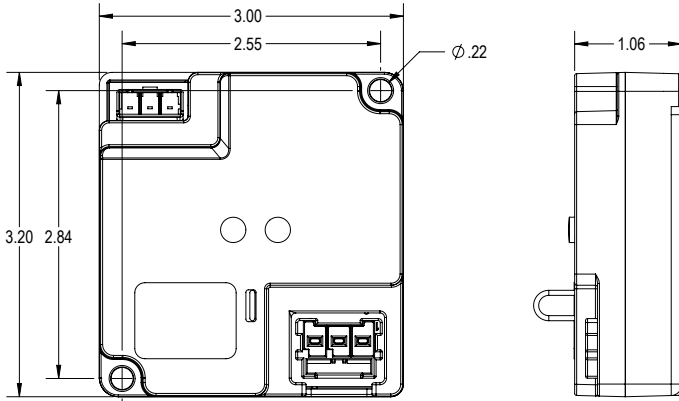
- **High Voltage Shock hazard!**
- **Disconnect all power to the system before making any connections.**
- **Failure to adhere to all safety standards and personal protection when working with high voltage can result in personal injury or death.**
- **Installation of the ICM401A should be performed by trained technicians only. Adhere to all local and national electric codes.**



## INSTALLATION

1. Using (2) #8 screws mount the **ICM401A** in a cool, dry, easily accessible location in the control panel. Torque screws to 10 + 2in-lb per screw.
2. Connect the line side harness of the **ICM401A** in parallel with the line side of the contactor as shown in figure 1 using the appropriate mating connectors.
3. Connect the low voltage harnesses to the 24 VAC source and contactor coil as shown in figure 1 using the appropriate mating connectors.

## DIMENSIONAL DIAGRAM



## WIRING DIAGRAM (Fig1)

