

RECTORSEAL

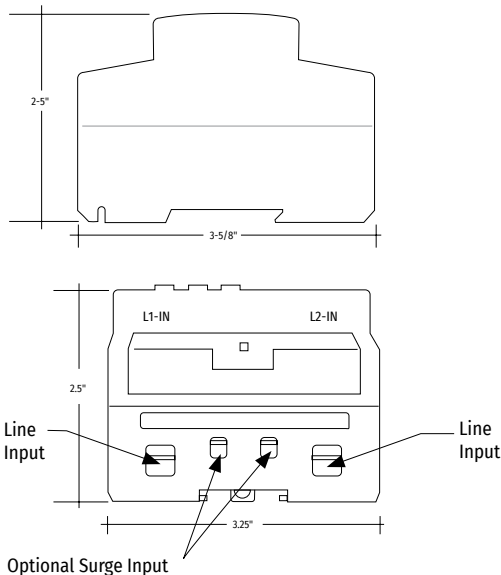
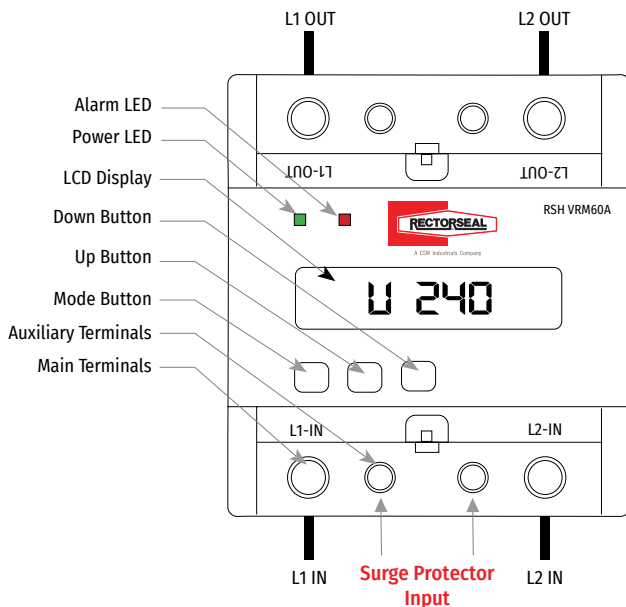
A CSW Industrials Company

INSTALLATION INSTRUCTIONS

RSH™VRM60A

120/240 Single Phase, 60 Amp Double Pole Capacity Relays (handles loads up to 60 Amps)

PRODUCT CODE **96420**



Installation Instructions

1. Device must be installed on din-rail.
2. Device must be installed in an enclosure suitable for the application and environment for which it is being used. Connected load shall not exceed 60 amps.
3. Confirm power is OFF prior to performing the installation.
4. Use the appropriate wire size and type based on the connected load and torque to the specified ratings.
5. Connect input and output connections, replace finger guard covers and then restore power.
6. Confirm power LED is illuminated and proceed to programming functions.

Programming Instructions

Start Up: At power up, load will remain disconnected for 2 minutes; this delay is adjustable. To view event logs, press UP button. **E1** - Over voltage events, **E2** - Under voltage events, **E3** - Outages

To enter program mode - Press and hold MODE button for 2 seconds

Mode IU - Power on delay. Use the UP & DOWN buttons to adjust the delay time between 1 and 10 minutes before the load is restored from the disconnect switch or a power outage. Default setting: 2 minutes.

Mode UV - Utility over-voltage set point. Use the UP & DOWN buttons to set the desired over-voltage cut off point between 85-300 vac Press MODE button to advance to next setting.

Mode UL - Utility under-voltage set point. Use the UP & DOWN buttons to set the desired under-voltage cut off point between 85-300 vac. Press MODE button to advance to next setting.

Mode SU - Over/under delay. Use the UP & DOWN buttons to adjust the delay time between .5 and 60 seconds before the load is disconnected when an under or over voltage condition is present. Press MODE button to advance to next setting.

Mode SP - Load restore delay. Use the UP & DOWN buttons to adjust the delay time between 1 and 600 seconds before the load is restored after normal power levels have returned.

Mode EC - Event-log clear. To retain stored events, set to 1. To clear ALL stored events, set to 0. Press and hold the MODE button for 2 seconds to save changes and exit.

Diagrams

Main Terminals
 CU7 Copper Conductors Only
 10-14 AWG 35 IN. LBS.
 8 AWG 40 IN. LBS.
 4-6 AWG 45 IN. LBS.
 2-3 AWG 50 IN. LBS.

Auxiliary Terminals
 CU7 Copper Conductors Only
 10-16 AWG 20 IN. LBS.

Specifications

- A. Purpose of control: Operating Control
- B. Construction of control: Independently Mounted
- C. Type 1 Action
- D. Pollution Degree: PD2
- E. Impulse Voltage: 2500 V

Para instrucciones en español visite www.rectorseal.com

Technical Support Call 1-800-231-3345

All surge protection devices require a good ground connection for effective operation

RSH™VRM60A

120/240 Single Phase, 60 Amp Double Pole Capacity Relays (handles loads up to 60 Amps)

WARRANTY INFORMATION & SAFETY NOTICE

WARNING

Voltage or current hazard, follow these instructions or it could result in serious bodily injury or death.

Most electric product-related incidents are caused by failure to observe basic safety rules or precautions. Rectorseal cannot anticipate every possible circumstance that might involve a potential hazard.

Requirement

Installation **MUST** be completed by a qualified licensed tradesman in the field of electrical installation. This would include a thorough understanding of the requirements of NFPA 70: National Electrical Code® and all local codes.

Installation Process

The Installation must conform to these instructions and the local code authority having jurisdiction and the requirements of the power company. In the absence of code requirements follow NFPA 70 (latest edition) National Electric Code.

The Code which may be ordered from: National Fire Protection Association, 1 Batterymarch Park, Quincy, MA 02269.

	WARNING Electric Shock Hazard!
---	--

Limited Warranty



For more information on our product limited warranty, visit RectorSeal.com

RectorSeal, LLC • 2601 Spenwick Drive, Houston, TX 77055, USA • 800-231-3345 • Fax 800-441-0051 • rectorseal.com

A CSW Industrials Company. RectorSeal, the logos and other trademarks are property of RectorSeal, LLC, its affiliates or its licensor's and are protected by copyright, trademark and other intellectual property laws, and may not be used without permission. RectorSeal reserves the right to change specifications without prior notice. ©2024 RectorSeal. All rights reserved. R50366-0424