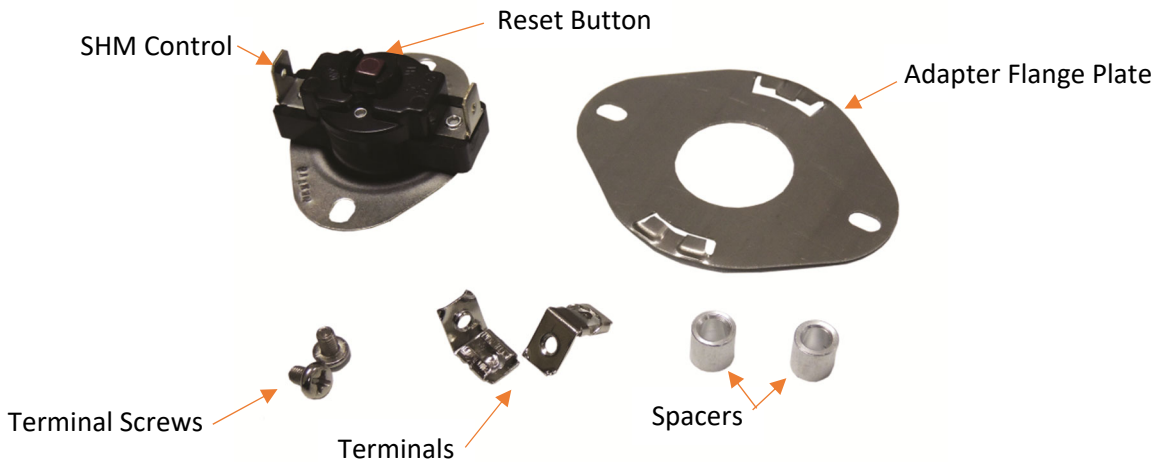


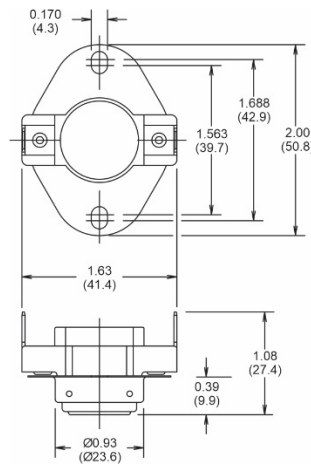
# SHM-Series Snap-Action Temperature Controls

The SHM-Series style temperature controls have a bi-metal disc that senses the temperature and quickly separates the contacts. This results in long life characteristics at loads up to 25 amps at 240 VAC. SHM-Series switches are single pole single throw 60T15 style (3/4") with manual-reset. These switches are designed to open on temperature rise. The surface mounting configuration positions the disc against the mounting surface to sense the actual surface temperature. Each switch comes with an adapter flange plate. For air-stream installation, simply attach the SHM control with the bi-metal protruding through the mounting surface. For surface installation, insert the two spacers between the screw holes in the flange, and the heating surface. Install the original screws and tighten securely.



Part No.	Close	Open °F
SHM125	Manual	125
SHM130	Manual	130
SHM160	Manual	160
SHM170	Manual	170
SHM180	Manual	180
SHM200	Manual	200
SHM210	Manual	210
SHM290	Manual	290
SHM350	Manual	350

Air Stream Mounting



Contact Arrangement	FLA	LRA	Pilot Duty VA	Resistive Amps	Voltage AC
1 & 3 SPST	10	60	125	25	120
1 & 3 SPST	5	30	125	25	240