

DISCONNECTS CONT.

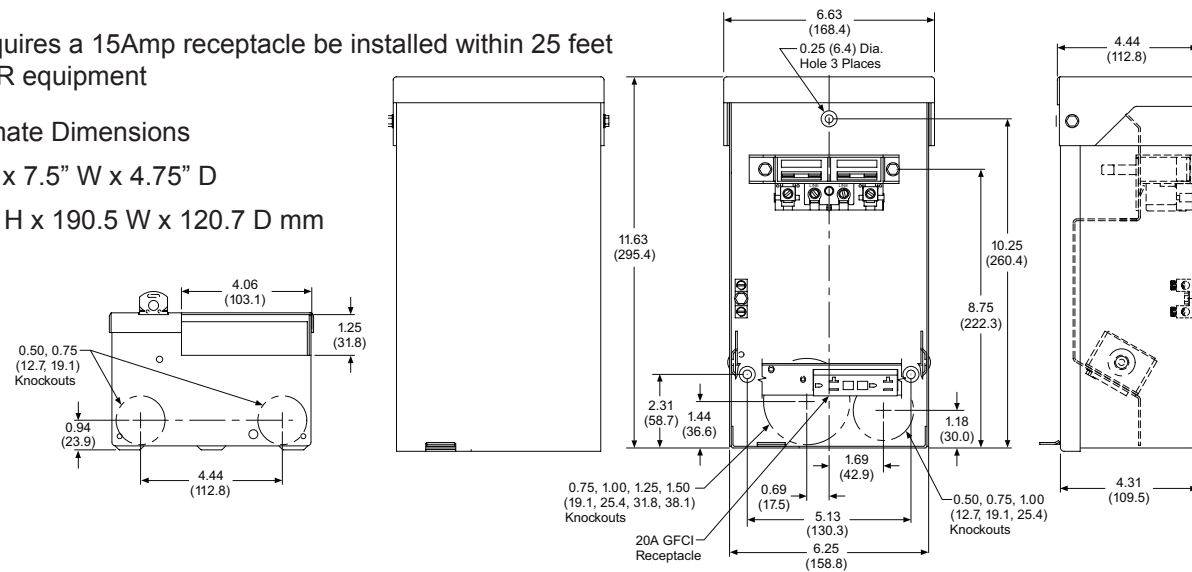


A/C DISCONNECT WITH GFI RECEPTACLE

The GFI features an exclusive rotating receptacle housing, allowing the contractor to wire the unit without removing the receptacle. This rotating feature is offered only by Eaton. For safety and clarity purposes, instructions and ratings are clearly marked on dead front housing. While this disconnect is convenient for contractors, it is also convenient for homeowners who can use the outlets as safe, additional power sources.



- NEMA 3R outdoor enclosure
- Built-in 15 A, 120 VAC ground fault receptacle
- Rotating receptacle for easy wiring
- Complies with 2008 NEC Article 406.8 (A), 406.11 and 210.63 requirements
- Code requires a 15Amp receptacle be installed within 25 feet of HVACR equipment
- Approximate Dimensions
 - 13" H x 7.5" W x 4.75" D
 - 330.2 H x 190.5 W x 120.7 D mm



Part Number	Main Amp Rating	Wire Size Range Cu/Al 60°C to 75°C	Max Hp Rating 120 V 240 V		Case Qty
240 VAC FUSIBLE, GALVANIZED STEEL					
8062GFI	30A	#14-3	2	3	10

PART NUMBER CROSS REFERENCE						
Global	Eaton	Square D	GE	Siemens® (Murray®)	Milbank	Midwest
8062GFI	DPF221RGF15	-	-	WF2030GFCI	-	U035F010

WARNING: Cancer and Reproductive Harm | www.P65Warnings.ca.gov

WWW.GLOBALTHESOURCE.COM | 800.531.5967



DRAIN ALERT®



DRAIN ALERT® is versatile, built for primary and auxiliary drain pan outlets. It is compact enough to fit in vertical and horizontal applications. The sensor comes with a 1/2" opening and no extra washer is needed to avoid premature cut off. A plenum wire model is also available for commercial building code requirements.



- Made of durable impact resistant material
- Can be used on all 24 V systems
- Translucent body allows for a quick visual inspection of water presence
- Easy to install
- 2 year warranty
- Made in the USA
- No gluing or cutting existing drain lines
- Prewired 18 – 72" lead
- Designed & engineered to be compatible with all makes/models of air handlers
- Vertical deep well rotating head for a secure mount
- For use in metal or plastic drain pans
- Plenum wire model available
 - 60" lead



**NO GLUING!
NO CUTTING!
NO REROUTING!**

Exclusive Distributor

Global Part Number	Cross Reference (RectorSeal)	Description	Case Qty
DRAIN ALERT	SS2	Condensate Float Switch	48
DRAIN ALERT PL	SS2AP	Condensate Float Switch Plenum Wire	48

WARNING: Cancer and Reproductive Harm | www.P65Warnings.ca.gov

WWW.GLOBALTHESOURCE.COM | 800.531.5967

