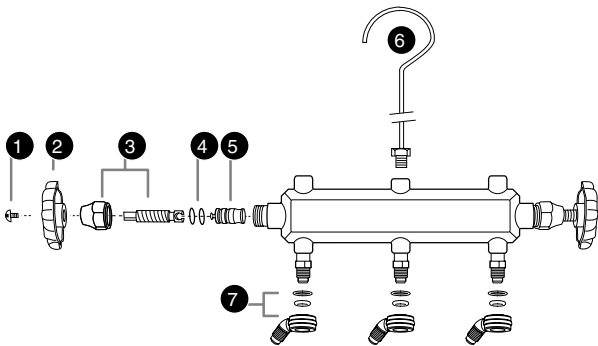


Repair Parts



Repair Parts

PATRIOT™ SERIES MANIFOLDS		
1	MR-503	Handwheel screw (2)
2	MR-508	Metal handwheel and screw
3	MR-516	Stem and nut
4	MR-509	O-ring (2)
5	MR-505	Piston w/seat and o-rings
6	M2-102N	Hanging hook
7	MR-504	1/4" Hose holder sleeve and o-rings

See your wholesaler for a complete line of gauges.

WARNING: This product can expose you to chemicals including lead which are known to the State of California to cause cancer and birth defects or other reproductive harm. For more information go to www.P65Warnings.ca.gov

Limited Warranty

Manifold bar has a lifetime warranty, while the components, (gauges, hoses, handles, hose holders, etc.), are covered under the limited warranty policy. Products are warranted for a period of one year from date of shipment by JB and limited to repair, replacement or credit, if in our opinion are defective due to workmanship and/or materials. Defective components should be returned to the wholesaler from which the product was purchased for evaluation. Manifolds are designed for use with all refrigerants except Ammonia (R717). Working pressures are limited to gauge dial range. Use of this manifold under any other conditions voids the warranty.

For Professional Use Only

JB manifolds are designed for use by technically trained HVAC/R service engineers only. Due to the high pressures encountered in all systems that this manifold will be used on, plus the dangers due to the physical and chemical nature of refrigerants and oils present in all systems, misapplication could result in injury or death.



JB INDUSTRIES

JB INDUSTRIES • 630.851.9444 • sales@jbind.com Part No. 22000-308 0419

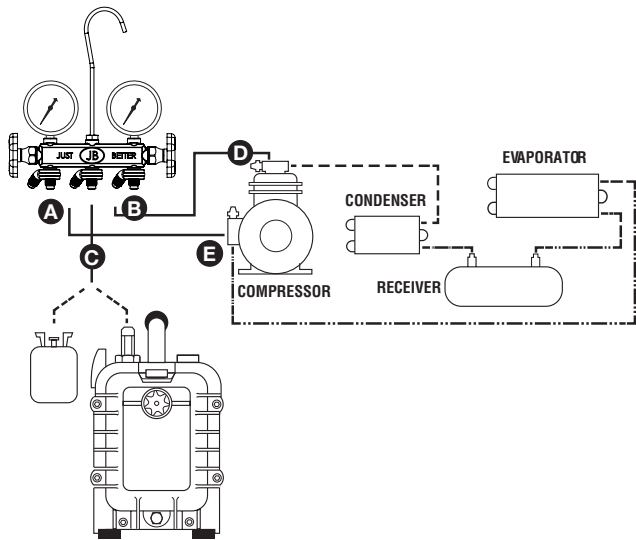
PATRIOT™

2-VALVE BRASS MANIFOLD



JB INDUSTRIES

Evacuation/Charging



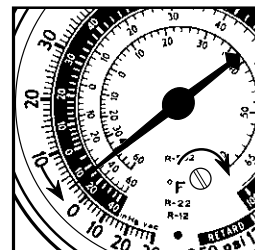
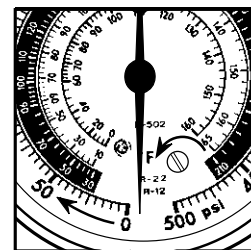
	MANIFOLD			COMPRESSOR	
	A	B	C	D	E
	LOW SIDE	HIGH SIDE	CHARGING AND EVACUATION PORT	DISCHARGE SERVICE VALVE	SUCTION SERVICE VALVE
	BLUE	RED	YELLOW	RED	BLUE
CAUTION: Always consult manufacturer service manual or instruction sheet for recommended procedures					
To observe operating pressures	Closed	Closed	—	Back seated and cracked open	Back seated and cracked open
To charge refrigerant through suction valves	Open	Closed	Connect line to refrigerant supply	Back seated and cracked open	Front seated
To charge oil through suction valve	Open	Closed	Connect line to oil supply	Back seated	Front seated
To charge liquid refrigerant through discharge valve	Closed	Open	Connect line to refrigerant	Midway open	—
To build low pressure; for control setting or leak detecting	Open	Open	Refrigerant line closed	Back seated and cracked open	Midway open
To purge refrigerant from discharge valve	Closed	Open	Refrigerant line open	Back seated and cracked open	—
To evacuate with auxiliary vacuum pump	Open	Open	Connect to vacuum pump	Midway open	Midway open

Recalibration

Each gauge is individually tested and calibrated prior to shipment. Due to its sensitivity, the gauge may need to be “zeroed in” prior to usage.

Adjusting Gauge Recalibration to Zero

1. For 2-1/2": remove lens or for 3-1/8": remove lens plug
2. Turn recalibration screw **slightly** in the opposite direction that pointer is to be moved. Maximum recalibration screw adjustment is half turn. Over adjustment will permanently destroy calibration.
3. Replace lens/lens plug



Gauges are sensitive instruments—over adjustment and/or being subjected to pressures over dial range are not covered under warranty terms.