

# INSTALLATION INSTRUCTIONS

## MODEL# RXRF-ADB1

### 2 POSITION DAMPER

**STEP 1:**

Immediately upon receipt, all cartons and contents should be inspected for transit damage. Units with damaged cartons should be opened immediately. If damage is found, it should be noted on the delivery papers and a damage claim filed with the last carrier. Compare carton(s) contents to the PACKAGE CONTENTS List (**Table 1**) below to note any missing items.

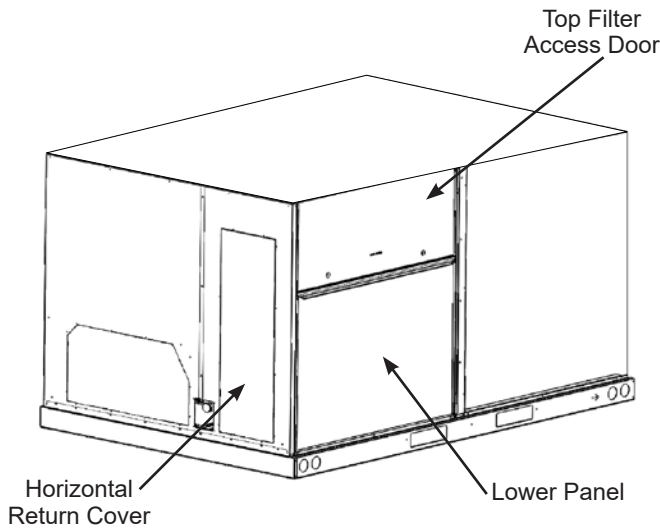
Table 1 - Package Contents			
ITEM	DESCRIPTION	QTY	PART NUMBER
1	Outside air damper with actuator	1	
2	Upper hood panel	1	
3	Bottom filler panel	1	
4	Hood left side	1	
5	Hood right side	1	
6	Hood divider	1	
7	Hood front bracket	1	
8	Permanent water entrainment filter 20" x 20" x 1"	2	
9	Hardware bag	1	

**STEP 2:**

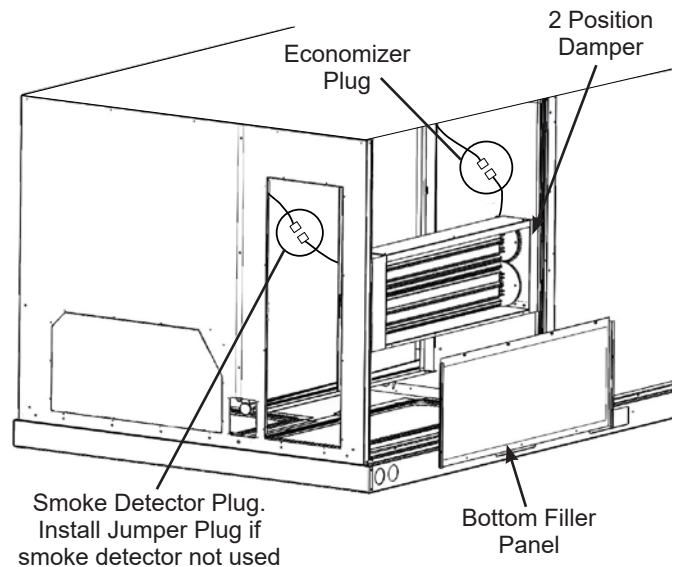
Remove HORIZONTAL RETURN COVER, TOP FILTER ACCESS DOOR, and LOWER PANEL from the unit and retain for reuse (**SEE FIGURE 1**). Retain screws. Note: the bottom panel will be used for the top of the 2 position damper hood.

**STEP 3:**

Install the 2 position damper into the unit, **SEE FIGURE 2**. Screw damper to unit on both left and right sides through pre-punched holes in damper and unit. Install the bottom filler panel under the 2 position damper, **SEE FIGURE 2**. Screw the panel to the unit on both the left and right sides, and to the bottom of the 2 position damper.



**Figure 1**



**Figure 2**

**STEP 4:**

Remove the jumper plug (PL7) from economizer harness in HVAC unit. Connect unit's 12-pin ECONOMIZER PLUG (PL34) to 2 position damper's mating plug (PL8), **SEE FIGURE 3**. If not using a field-installed smoke detector kit, reinstall the jumper plug (PL7) into other 12-pin plug from 2 position damper – note this 12-pin plug will have only 3 wires connected to it. If using a field-installed smoke detector, discard the jumper plug (PL7) and install the smoke detector kit using provided instructions.

**STEP 5:**

Install UPPER HOOD PANEL onto unit, at top of 2 position damper (**SEE FIGURE 4**). This panel provides a transition between the filter door and the hood top. Screw in place through pre-punched hole in panel and into unit. To ensure proper location, UPPER HOOD PANEL will be 25 7/8" from bottom of unit as shown in **FIGURE 5**.

**STEP 6:**

Locate the LOWER PANEL removed in STEP 2 and slide it underneath the UPPER HOOD PANEL. Note the LOWER PANEL is used as the hood top. Insert LEFT HOOD SIDE and RIGHT HOOD SIDE under the LOWER PANEL. Screw hood together (**SEE FIGURE 5**).

**STEP 7:**

Install the HOOD DIVIDER between the LEFT HOOD SIDE and RIGHT HOOD SIDE (**SEE FIGURE 5**). Screw in place. Insert the permanent filter into the hood using the hood divider to rest the filter on, and use filter clips at top of hood to retain it in place (**SEE FIGURE 5**).

**STEP 8:**

The 2 position damper actuator has an adjustable mechanical stop to allow for maximum desired opening setting, **SEE FIGURE 6**. Remove the clip on the actuator shaft holding mechanical stop to the actuator. Now the mechanical stop can be reset to the desired maximum opening position, and then reinsert the clip to hold the mechanical stop in place.

**STEP 9:**

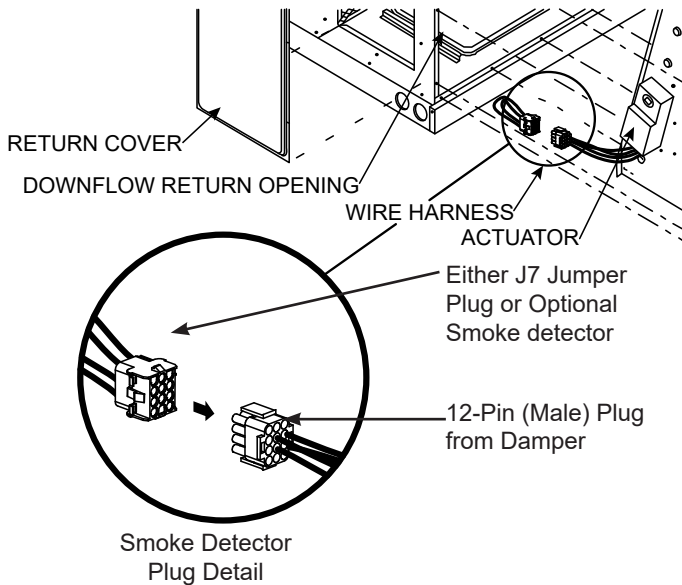
Install all other kits including carbon dioxide sensor, smoke detector, etc.

**STEP 10:**

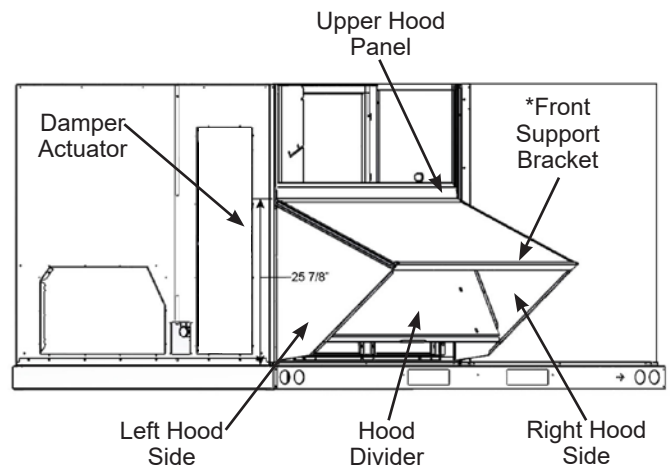
Reinstall the unit's horizontal return panel and the filter access panel.

**STEP 11:**

Upon unit startup, ensure that the 2 position damper opens when the indoor fan is on.

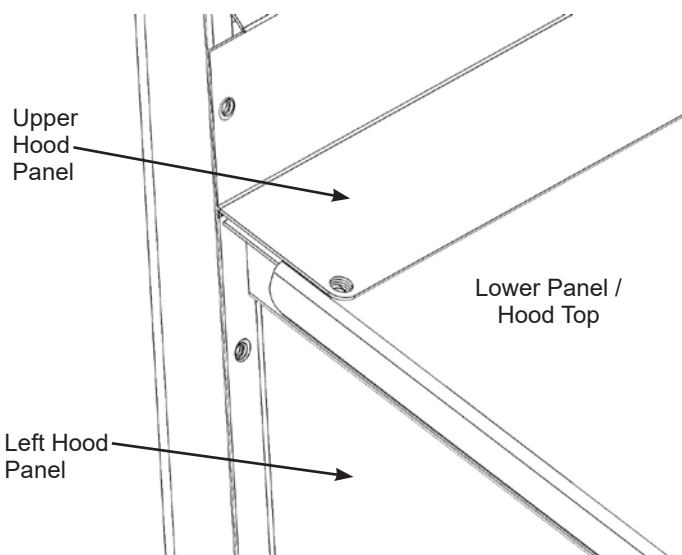


**Figure 3**

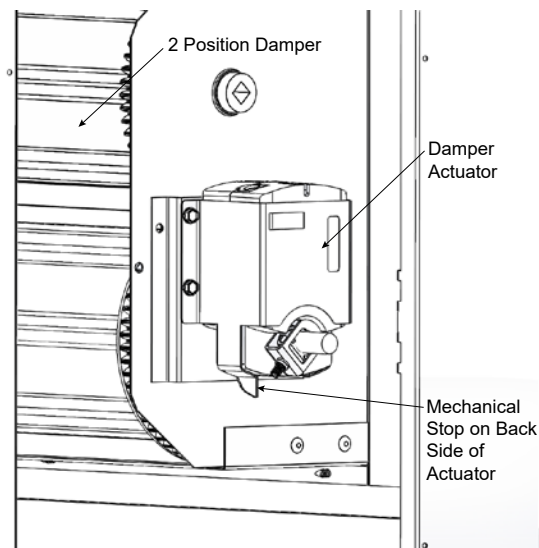


\*Install bracket after filters are in place.

**Figure 5**



**Figure 4**



**Figure 6**

## 2 Position Non-DDC Wiring Diagram

