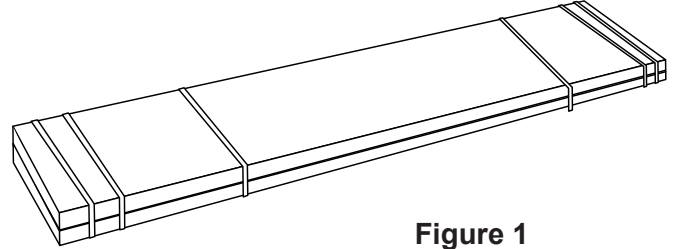


# INSTALLATION INSTRUCTIONS

## MODEL# RXRX-DGC14, 18, & 24 ROOF CURBS

This Roof Curb is built to NRCA specifications and is constructed of 16 gauge galvanized steel with a full perimeter 1" x 4" wood nailer strip. Curb height is determined by the part number as listed below.

- RXXR-DGC14 = 14 inches high
- RXXR-DGC18 = 18 inches high
- RXXR-DGC24 = 24 inches high



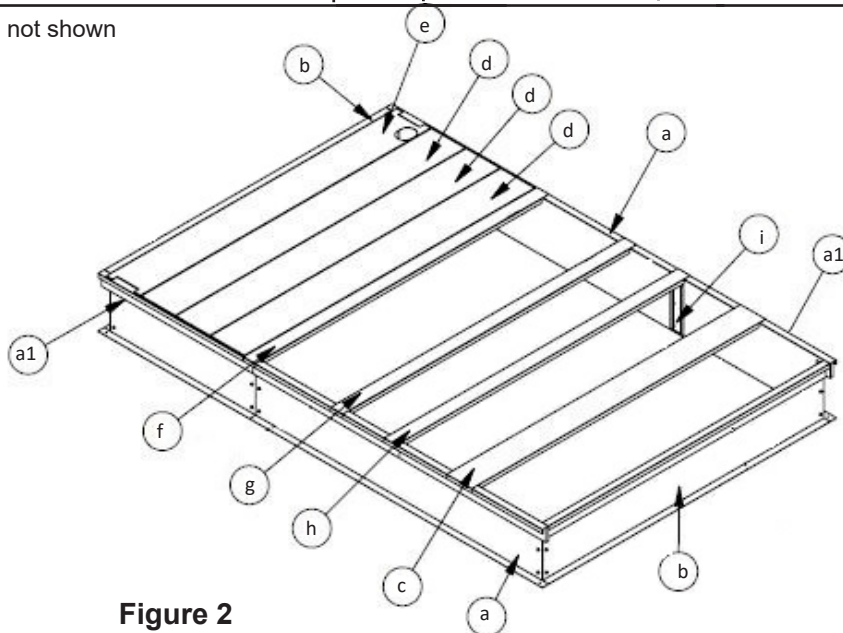
**Figure 1**

**STEP 1:**

Immediately upon receipt curb package should be checked for transit damage. If damage is detected, it should be noted on the delivery papers and a damage claim filed with the last carrier. Compare curb contents to PACKAGE CONTENTS List (TABLE 1) to note any missing parts.

Table 1 - Package Contents					
ITEM	DESCRIPTION	QTY	14" Tall RXXR-DGC14	18" Tall RXXR-DGC18	24" Tall RXXR-DGC24
a	Curb long side - 61 7/8" long	2	CRBK0E-R009	CRBK0E-RXXX	CRBK0E-RXXX
a1	Curb long side - 61 7/8" long	2	CRBK0E-R026	CRBK0E-RXXX	CRBK0E-RXXX
b	Curb short side - 78 1/4" long	2	CRBK0E-R008	CRBK0E-RXXX	CRBK0E-RXXX
c	Curb Return support - 81" long	1	CRBK0E-R018	CRBK0E-R018	CRBK0E-R018
d	Deck pan - no utility hole - 81" long	3	CRBK0E-R013	CRBK0E-R013	CRBK0E-R013
e	Deck pan - with utility hole - 81" long	1	CRBK0E-R014	CRBK0E-R014	CRBK0E-R014
f	Curb Supply support A - 81" long	1	CRBK0E-R010	CRBK0E-R010	CRBK0E-R010
g	Curb Supply support B - 81" long	1	CRBK0E-R015	CRBK0E-R015	CRBK0E-R015
h	Curb cross support - 81" long	1	CRBK0E-R017	CRBK0E-R017	CRBK0E-R017
i	Side Bracket	2	CRBK0E-R025	CRBK0E-R025	CRBK0E-R025
j	Curb gasket seal - 1/4" x 1 1/2" x 25'	3	9430-0100	9430-0100	9430-0100

NOTE: Item (j) Gasketing not shown



**Figure 2**

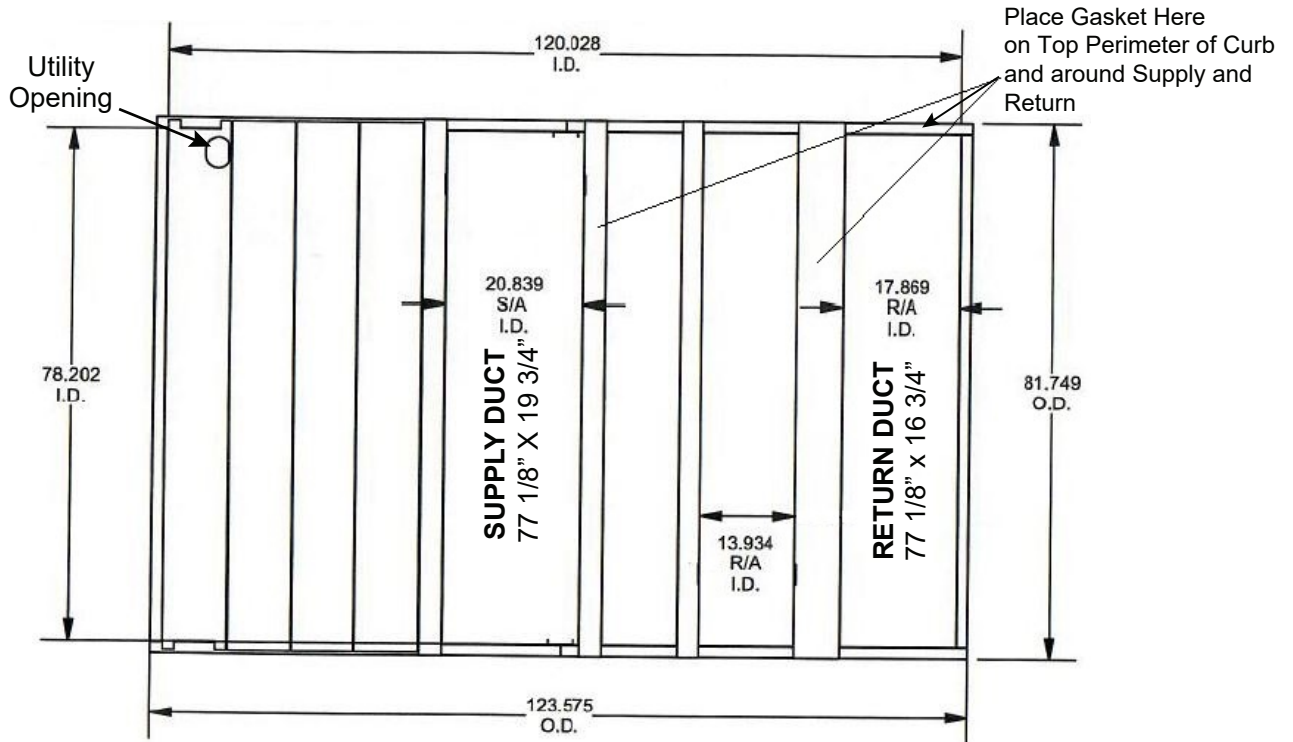
**STEP 2:**

Layout curb pieces before assembly to ensure that all necessary pieces are included (SEE FIGURE 2).

## INSTALLATION INSTRUCTIONS MODEL# RXXR-DGC14, 18, & 24 ROOF CURBS

### STEP 3:

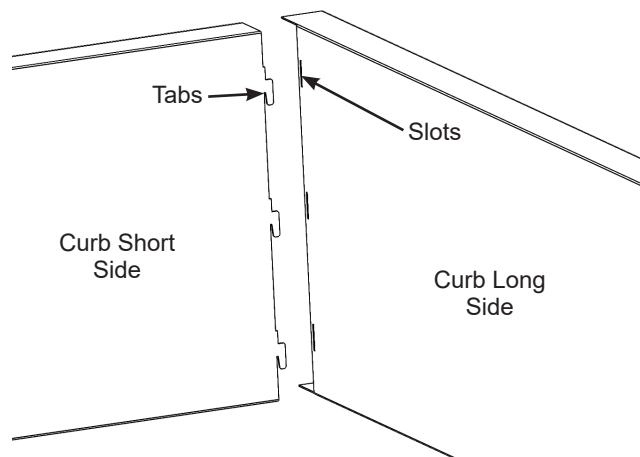
Cut roof opening per **FIGURE 3**, or if using special duct kits refer to their provided instructions. Opening should be safely covered while working on and around opening and curb. **Minimal** roof openings would be 78" x 20 3/4" for the Supply and 78" x 17 3/4" for the Return.



**Figure 3 - Downward View**

### STEP 4:

Corner Assembly. Align the CURB SHORT SIDE which has the mating tabs, with the CURB LONG SIDE, which has the mating slots (**SEE FIGURE 4**). Insert the tabs into the slots and push down on the CURB SHORT SIDE until the tabs lock in place. When the tabs are locked in place, the curb corners cannot be separated. Repeat steps for all 4 corners.



**Figure 4**

## INSTALLATION INSTRUCTIONS MODEL# RXRX-DGC14, 18, & 24 ROOF CURBS

### STEP 5:

After all four corners are assembled, the curb must be "squared up". Do this by measuring diagonally from each opposite corner (SEE FIGURE 5). The two measurements should be the same for each direction.

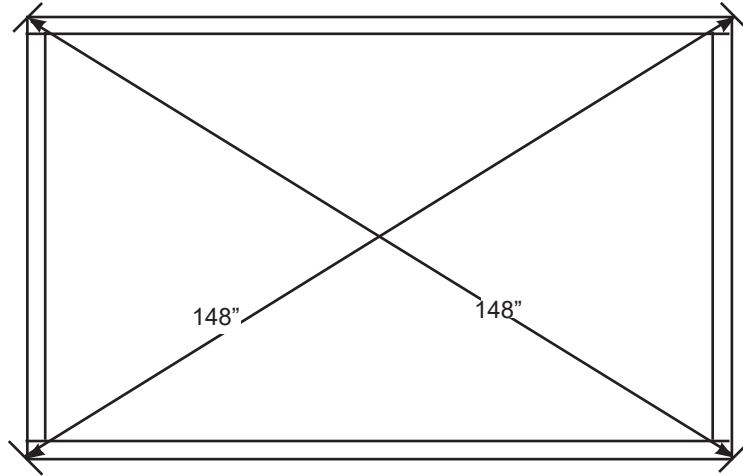


Figure 5

### STEP 6:

Install the insulated deck pans on to top perimeter of the curb. Note: the insulation will be facing down toward the roof. The deck pan (e) with the utility hole cut out must be located as shown in FIGURES 2 and 3 for it to line up correctly with the unit. The deck pans do not screw in place but are held in place by the weight of the unit.

### STEP 7:

Install the CURB SUPPLY SUPPORT ( f ) in front of the deck pans towards the duct openings (SEE FIGURE 2 and 3). The support will lay over the top of the curb perimeter.

### STEP 8:

Install the CURB SUPPLY SUPPORT (g) - SEE FIGURES 2 and 3. Make sure the support is oriented correctly by checking measurement in FIGURE 3.

### STEP 9:

Install CURB RETURN SUPPORT (c) and CURB CROSS SUPPORT (h) – SEE FIGURES 2 and 3 for dimensional location.

### STEP 10:

Install provided gasket onto roof curb's top perimeter. This is important to provide a watertight seal between the curb and the unit. Peel the backing paper off the gasket and install it on the top perimeter as shown in FIGURE 3.

### STEP 11:

Roof curb can be secured to the roof structure through holes in the bottom flanges of the CURB SHORT SIDES and CURB LONG SIDES, or by other means that meets local and industry building codes.

# INSTALLATION INSTRUCTIONS MODEL# RXXR-DGC14, 18, & 24 ROOF CURBS

## STEP 12:

The CURB SHORT SIDES and CURB LONG SIDES have wood nailers toward the top, which allows for roofing materials to be attached to the roof curb **SEE FIGURE 7**. Follow all local and industry codes

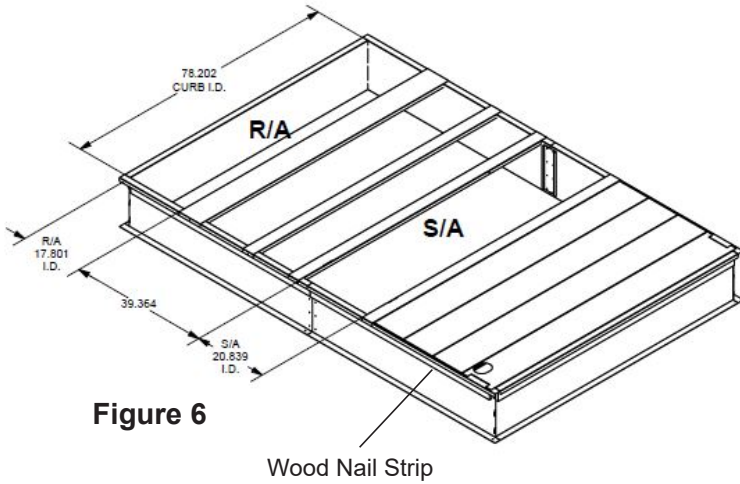


Figure 6

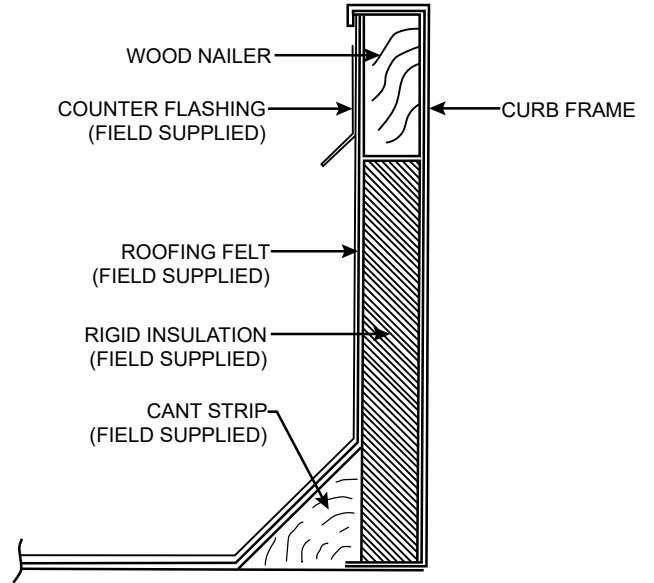


Figure 7