



Versus™ Line Gas Furnaces



W801T UH

80% A.F.U.E.†

Heating Stages: Single Stage

Motor Type: Constant Torque

Input Rates: 50-125 kBTU [14.6-36.6 kW]

Configuration Options: Upflow/Horizontal



† A.F.U.E. (Annual Fuel Utilization Efficiency) calculated in accordance with Department of Energy test procedures.

Table of Contents

| | |
|--|-----|
| Features & Benefits | 3 |
| Model Number Identification | 4 |
| Physical Data and Specifications | 5 |
| Dimensional Data | 6-7 |
| Blower Performance Data | 8 |
| Accessories | 9 |
| Limited Warranty | 12 |

Features and Benefits

- **Diagnostics:** Industry-first, 7-segment LED for quick & easy service
- **Ignition System:** Proven Direct Spark Ignition (DSI) for reliability and longevity
- **Low Profile, 34-inch Cabinet:** Makes our furnaces ideal for space-constrained installations
- **Hemmed Cabinet & Door Edges and Quarter-Turn Door Fasteners (Upflow/Horizontal only):** Allows for safe, tool-less access and serviceability
- **Removable Heat Exchanger:** Improves serviceability. Aluminized steel construction provides maximum corrosion resistance and thermal fatigue reliability

Gas Furnaces

| <u>W</u> | <u>80</u> | <u>1</u> | <u>T</u> | <u>050</u> | <u>3</u> | <u>A</u> | <u>14</u> | <u>UH</u> | <u>S</u> | <u>N</u> | <u>A</u> | <u>S</u> |
|-----------------|--------------------|-------------------|---------------------|--|---|-----------------------|--|---------------------------|-----------------------------|-----------------------|----------------|--------------------|
| Brand | Furnace Efficiency | Stages of Heating | Motor Type | Heating Input | AC Max. Capacity | Major Series | Width | Position | NOx | Controls | Minor Series | Option Code |
| W - WeatherKing | 80 - 80% AFUE | 1 - Single-Stage | T - Constant Torque | 050 - 50K BTUH [14.7 kW] 075 - 75K BTUH [22.0 kW] 100 - 100K BTUH [29.3 kW] 125 - 125K BTUH [36.6 kW] | 3 - 3 ton drive 4 - 4 ton drive 5 - 5 ton drive | A - 1st Design Series | 14 - 14" 17 - 17.5" 21 - 21" 24 - 24.5" | UH - Upflow Horizontal | S - Standard N - Low NOx | N - Non-Communicating | A - 1st Series | S - Standard Grade |

[] Designates Metric Conversions

| AVAILABLE MODELS |
|--------------------|
| W801T0503A14UHSNAS |
| W801T0754A17UHSNAS |
| W801T0754A21UHSNAS |
| W801T1005A21UHSNAS |
| W801T1255A24UHSNAS |
| W801T0503A14UHNNAS |
| W801T0754A17UHNNAS |
| W801T0754A21UHNNAS |
| W801T1005A21UHNNAS |

| STANDARD EQUIPMENT |
|--|
| Limit controls |
| Manual shut-off valve |
| 100% safety lock out |
| Cool fan off delay |
| Field selectable heat fan off delay |
| One hour automatic retry |
| Power and self test diagnostics |
| Flame sense current diagnostics |
| Electronic air cleaner connections |
| Twinning (built-in) features |
| Humidifier connections |
| Low speed continuous fan option |
| Single speed option for heating and cooling applications |
| Transformer |
| Direct drive motor |
| Multi-speed constant torque blower motor |

WARNING
 THIS FURNACE IS NOT APPROVED
 OR RECOMMENDED
 FOR USE IN MOBILE HOMES

Physical Data and Specifications—Upflow Models

| MODEL NUMBERS W801T UH | W801T0503A14UH*NAS | W801T0754A17UH*NAS | W801T0754A21UH*NAS | W801T1005A21UH*NAS | W801T1255A24UH*NAS |
|--|------------------------------------|------------------------------------|------------------------------------|------------------------------------|------------------------------------|
| Constant Tq-UH Series | | | | | |
| Input-BTU/Hr [kW] | 50,000 [15] | 75,000 [22] | 75,000 [22] | 100,000 [29] | 125,000 [37] |
| Heating Capacity BTU/Hr [kW] © | 40,000 [12] | 60,000 [18] | 60,000 [18] | 80,000 [23] | 100,000 [29] |
| Heat Ext. Static Pressure [kPa] | .18 [.05] | .20 [.05] | .20 [.05] | .28 [.07] | .28 [.07] |
| Blower (D x W) [mm] | 11 x 6 [279 x 152] | 11 x 7 [279 x 178] | 11 x 7 [279 x 178] | 11 x 10 [279 x 254] | 11 x 10 [279 x 254] |
| Motor H.P. [W] Type | 1/2 [373] 5 Spd Constant Torque | 1/2 [373] 5 Spd Constant Torque | 3/4 [560] 5 Spd Constant Torque | 3/4 [560] 5 Spd Constant Torque | 3/4 [560] 5 Spd Constant Torque |
| Min. Circuit Ampacity | 8 | 8 | 9 | 10 | 11 |
| Min. Overload Protection Device | 15 | 15 | 15 | 15 | 15 |
| Max. Overload Protection Device | 15 | 15 | 15 | 15 | 15 |
| Heating Speed | Med | Med | Med-High | Med | Med-High |
| Cooling Speed | High | High | High | High | High |
| Cooling CFM @ Rating Point [L/s] | 1305 [616] | 1402 [662] | 1608 [759] | 1840 [868] | 1934 [913] |
| Max. E.S.P. (In. W.C.) [kPa] | 0.9 [.22] | 0.9 [.22] | 0.9 [.22] | 0.9 [.22] | 0.9 [.22] |
| Temperature Rise Range °F [°C] | 25-55 [13.9-30.6] | 25-55 [13.9-30.6] | 25-55 [13.9-30.6] | 40-70 [22-39] | 35-65 [19.4-36.1] |
| Max. Outlet Air Temp. °F [°C] | 155 [68.3] | 155 [68.3] | 160 [71.1] | 180 [82.2] | 165 [73.8] |
| Approx. Shipping Weight (Lbs.) [kg] | 110 [50] | 125 [57] | 140 [64] | 140 [64] | 150 [68] |
| AFUE © | 80.00% | 80.00% | 80.00% | 80.00% | 80.00% |

NOTES: All models are 115V, 60HZ, 1 Ph. Gas connection size for all models is 1/2" [12 mm] N.P.T.

© In accordance with D.O.E. test procedures.

© See Conversion Kit Index Form for high altitude derate.

*S=Standard, N=Low NOx

This furnace does not meet air district requirements of 14 ng/J NOx emissions limit. This furnace is not eligible for the Clean Air Furnace Rebate Program: www.CleanAirFurnaceRebate.com.

This furnace is to be installed for propane firing only in air districts requiring 14 ng/J NOx emission limits. Operating in natural gas mode is in violation of these Rules.

[] Designates Metric Conversions

Upflow Application

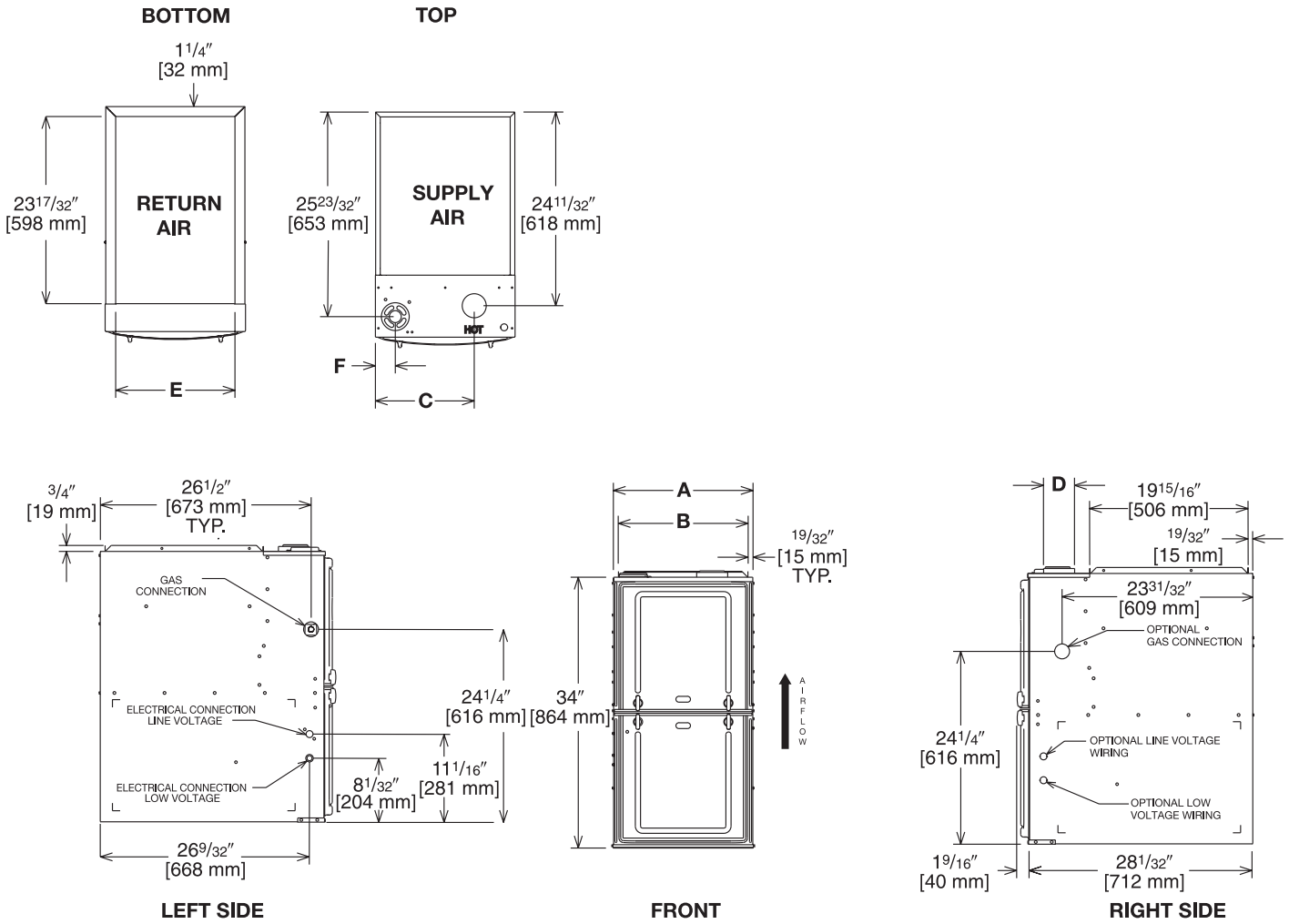


Illustration
ST-A1220-04-00
FIGURE 1

Dimensional Data: Upflow Model

| MODEL W801T UH | A | B | C | D | E | F | MINIMUM CLEARANCE (IN.) [mm] | | | | | SHIP WGTS. (LBS.) [kg] | |
|-------------------|--------------------------------------|--|--------------------------------------|---|--------------------------------------|-------------------------------------|------------------------------|---------------|------|--------|--------|------------------------------|----------|
| | | | | | | | LEFT SIDE | RIGHT SIDE | BACK | TOP | FRONT | | VENT |
| 050 | 14 [356] | 12 ²⁷ / ₃₂ [326] | 10 ⁵ / ₈ [270] | ① | 11 ¹ / ₂ [292] | 17 ⁷ / ₈ [48] | 0 | 4 [102] ② | 0 | 1 [25] | 3 [76] | 6 [152] ③ | 110 [50] |
| 0754A17 | 17 ¹ / ₂ [445] | 16 ¹¹ / ₃₂ [415] | 12 ³ / ₈ [314] | ① | 15 [381] | 2 ¹ / ₂ [64] | 0 | 3 [76] ② | 0 | 1 [25] | 3 [76] | 6 [152] ③ | 125 [57] |
| 0754A21/100 | 21 [533] | 19 ²⁷ / ₃₂ [504] | 14 ¹ / ₈ [359] | ① | 18 ¹ / ₂ [470] | 2 ¹ / ₂ [64] | 0 | 0 | 0 | 1 [25] | 3 [76] | 6 [152] ③ | 140 [64] |
| 125 | 24 ¹ / ₂ [622] | 23 ¹¹ / ₃₂ [593] | 15 ⁷ / ₈ [403] | ① | 22 [559] | 2 ¹ / ₂ [64] | 0 | 0 | 0 | 1 [25] | 3 [76] | 6 [152] ③ | 150 [68] |

NOTES: ① May require a 3" [76 mm] to 4" [102 mm] or 3" [76 mm] to 5" [127 mm] adapter.

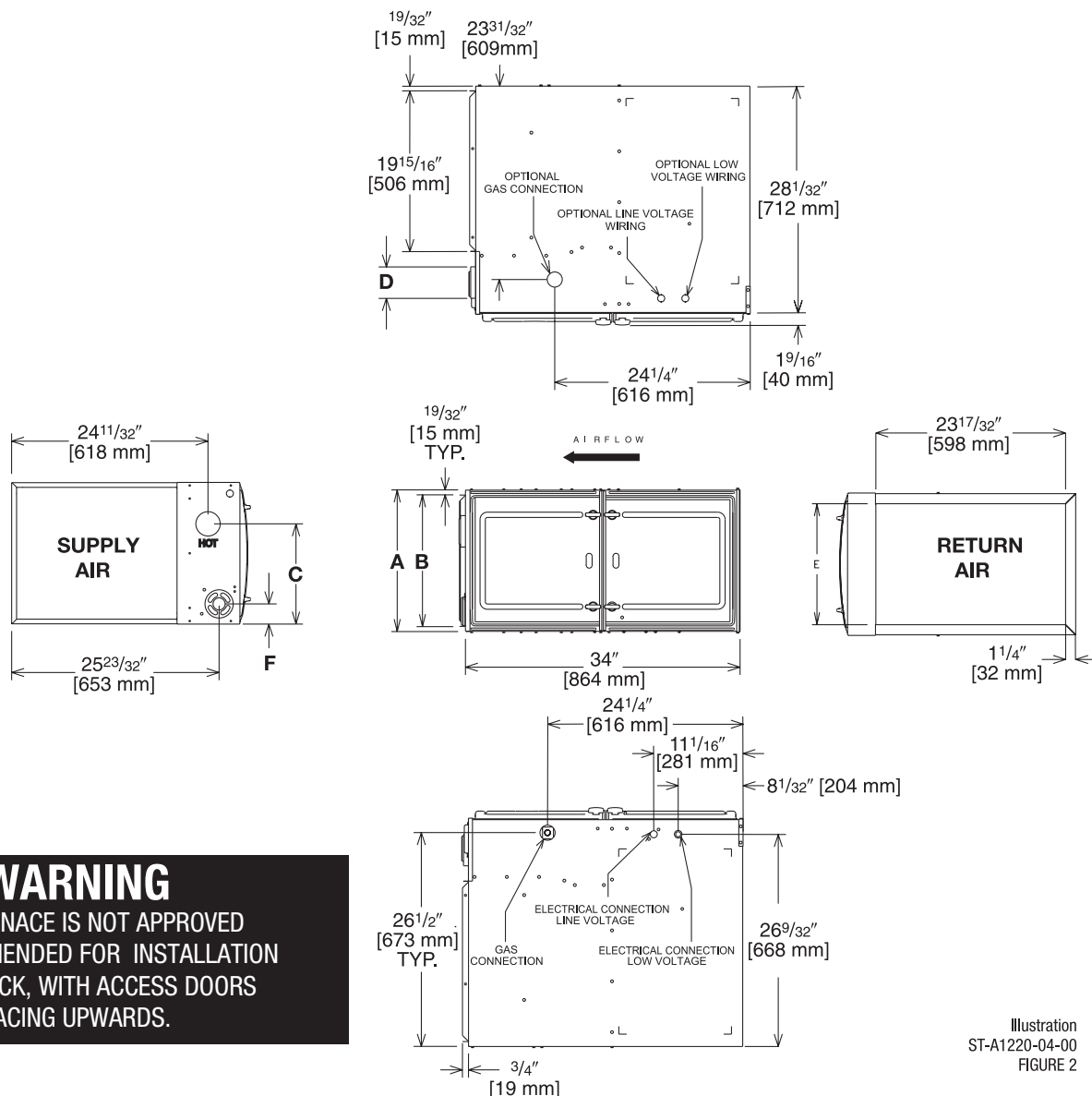
② May be 0" [0 mm] with type B vent.

③ May be 1" [25 mm] with type B vent.

Furnaces must be vented in accordance with the National Fuel Gas Code, ANSI Z223.1 and in accordance with local codes.

[] Designates Metric Conversions

Horizontal Application



WARNING
THIS FURNACE IS NOT APPROVED OR RECOMMENDED FOR INSTALLATION ON ITS BACK, WITH ACCESS DOORS FACING UPWARDS.

Illustration
ST-A1220-04-00
FIGURE 2

Dimensional Data: Horizontal Model

| MODEL W801T UH | A | B | C | D | E | F | MINIMUM CLEARANCE (IN.) [mm] | | | | | | SHIP WGTS. (LBS.) [kg] |
|-------------------|--------------------------------------|--|--------------------------------------|---|--------------------------------------|-------------------------------------|------------------------------|--------------------|------|--------|--------|-----------|------------------------------|
| | | | | | | | SUPPLY AIR SIDE | RETURN AIR SIDE | BACK | TOP | FRONT | VENT | |
| 050 | 14 [356] | 12 ²⁷ / ₃₂ [326] | 10 ⁵ / ₈ [270] | ① | 11 ¹ / ₂ [292] | 17 ⁸ / ₈ [48] | 4 [102] ② | 4 [102] ② | 0 | 1 [25] | 3 [76] | 6 [152] ③ | 110 [50] |
| 0754A17 | 17 ¹ / ₂ [445] | 16 ¹¹ / ₃₂ [415] | 12 ³ / ₈ [314] | ① | 15 [381] | 2 ¹ / ₂ [64] | 3 [76] ② | 3 [76] ② | 0 | 1 [25] | 3 [76] | 6 [152] ③ | 125 [57] |
| 0754A21/100 | 21 [533] | 19 ²⁷ / ₃₂ [504] | 14 ¹ / ₈ [359] | ① | 18 ¹ / ₂ [470] | 2 ¹ / ₂ [64] | 0 | 0 | 0 | 1 [25] | 3 [76] | 6 [152] ③ | 140 [64] |
| 125 | 24 ¹ / ₂ [622] | 23 ¹¹ / ₃₂ [593] | 15 ⁷ / ₈ [403] | ① | 22 [559] | 2 ¹ / ₂ [64] | 0 | 0 | 0 | 1 [25] | 3 [76] | 6 [152] ③ | 150 [68] |

NOTES: ① May require a 3" [76 mm] to 4" [102 mm] or 3" [76 mm] to 5" [127 mm] adapter.

② May be 0" [0 mm] with type B vent.

③ May be 1" [25 mm] with type B vent.

Furnaces must be vented in accordance with the National Fuel Gas Code, ANSI Z223.1 and in accordance with local codes.

[] Designates Metric Conversions

Blower Performance Data

| AIRFLOW PERFORMANCE - 80% SINGLE STAGE DOWNFLOW CONSTANT TORQUE | | | | | | | | | | | | |
|---|--------------------------------|------------------------------|--|------|------|------|------|------|------|-------|------|------|
| INPUT [BTU] CABINET WIDTH [IN] | AIRFLOW CONTROL SETTINGS | SPEED TAP/ WIRE COLORS | CFM AIR DELIVERY EXTERNAL STATIC PRESSURE INCHES WATER COLUMN | | | | | | | | | |
| | | | 0.1 | 0.2 | 0.3 | 0.4 | 0.5 | 0.6 | 0.7 | 0.8 | 0.9 | 1.0 |
| 50K 14" | Factory Setting Fan | Low/Red | 909 | 747 | 618 | 517 | 439 | 377 | 326 | 280 | 234 | 183 |
| | Cool | Medium Low/ Yellow | 982 | 899 | 828 | 766 | 712 | 664 | 620 | 577 | 534 | 490 |
| | Heat or Heat/Cool | Medium/ Purple | 1027 | 993 | 958 | 921 | 882 | 843 | 802 | 762 | 721 | 680 |
| | Cool | Medium High/ Blue | 1172 | 1130 | 1093 | 1060 | 1030 | 1001 | 972 | 941 | 907 | 869 |
| | Factory Setting Cooling | High/Black | 1296 | 1262 | 1232 | 1204 | 1177 | 1150 | 1123 | 1094 | 1063 | 1029 |
| 75K 17" | Factory Setting Fan | Low/Red | 1018 | 957 | 913 | 866 | 816 | 772 | 720 | 670 | 626 | 588 |
| | Heat or Heat/Cool | Medium Low/ Yellow | 1146 | 1111 | 1059 | 1012 | 967 | 928 | 889 | 845 | 800 | 755 |
| | Cool | Medium/ Purple | 1325 | 1257 | 1199 | 1144 | 1089 | 1028 | 975 | 922 | 871 | 813 |
| | Cool | Medium High/ Blue | 1554 | 1490 | 1429 | 1365 | 1306 | 1272 | 1218 | 1170 | 1122 | 1077 |
| | Factory Setting Cooling | High/Black | 1752 | 1682 | 1625 | 1574 | 1525 | 1473 | 1421 | 1379 | 1341 | 1296 |
| 75K 21" | Factory Setting Fan | Low/Red | 1011 | 987 | 928 | 861 | 796 | 739 | 675 | 604 | 553 | 513 |
| | Cool | Medium Low/ Yellow | 1341 | 1287 | 1216 | 1162 | 1105 | 1054 | 1000 | 952 | 899 | 847 |
| | Heat or Heat/Cool | Medium/ Purple | 1535 | 1487 | 1434 | 1384 | 1333 | 1280 | 1230 | 1190 | 1142 | 1099 |
| | Cool | Medium High/ Blue | 1689 | 1644 | 1596 | 1559 | 1499 | 1454 | 1414 | 1370 | 1331 | 1280 |
| | Factory Setting Cooling | High/Black | 1848 | 1801 | 1762 | 1717 | 1678 | 1632 | 1598 | 1556 | 1527 | 1470 |
| 100K 21" | Factory Setting Fan | Low/Red | 1123 | 1035 | 968 | 897 | 838 | 768 | 692 | 618 | 570 | 525 |
| | Cool | Medium Low/ Yellow | 1421 | 1365 | 1316 | 1266 | 1219 | 1157 | 1105 | 1052 | 1004 | 959 |
| | Cool | Medium/ Purple | 1684 | 1632 | 1744 | 1549 | 1506 | 1462 | 1421 | 1379 | 1333 | 1277 |
| | Heat or Heat/Cool | Medium High/ Blue | 1865 | 1825 | 1780 | 1747 | 1705 | 1677 | 1636 | 1597 | 1562 | 1499 |
| | Factory Setting Cooling | High/Black | 1997 | 1955 | 1916 | 1875 | 1841 | 1803 | 1769 | 1730 | 1700 | 1646 |
| 125K 24" | Factory Setting Fan | Low/Red | 1127 | 1064 | 993 | 931 | 867 | 805 | 749 | 687 | 628 | 578 |
| | Cool | Medium Low/ Yellow | 1438 | 1381 | 1330 | 1277 | 1227 | 1171 | 1118 | 1061 | 1024 | 976 |
| | Cool | Medium/ Purple | 1726 | 1664 | 1622 | 1588 | 1544 | 1494 | 1446 | 1404 | 1360 | 1317 |
| | Heat or Heat/Cool | Medium High/ Blue | 1883 | 1832 | 1789 | 1756 | 1711 | 1678 | 1617 | 1587 | 1551 | 1495 |
| | Factory Setting Cooling | High/Black | 2209 | 2166 | 2129 | 2090 | 2059 | 2010 | 1976 | 19144 | 1911 | 1875 |

**BOTTOM RETURN FILTER RACK FOR
UPFLOW APPLICATION: RXGF-CB**

SIDE RETURN FILTER RACK: RXGF-CD

| FILTER RACK FILTER SIZES* INCHES [mm] | | |
|---------------------------------------|--|--|
| MODEL | RXGF-CB (UPFLOW/ HORIZONTAL) | RXGF-CD (UPFLOW) SIDE RETURN |
| W801T050 | 12 ¹ / ₄ x 25 [311 x 635] | 15 ³ / ₄ x 25 [400 x 635] |
| W801T0503A17 | 15 ³ / ₄ x 25 [400 x 635] | 15 ³ / ₄ x 25 [400 x 635] |
| W801T0755A21/ W801W100 | 19 ¹ / ₄ x 25 [489 x 635] | 15 ³ / ₄ x 25 [400 x 635] |
| W801T125 | 22 ³ / ₄ x 25 [578 x 635] | 15 ³ / ₄ x 25 [400 x 635] |

4" FLUE ADAPTER: RXGW-C01

Indoor Coil Casings

| MODEL NUMBER |
|-----------------|
| RXBC-D14AI |
| RXBC-D17AI |
| RXBC-D21AI |
| RXBC-D21BI |
| RXBC-D24AI |

WARNING: IMPORTANT NOTICE

A SOLID METAL BASE PLATE (SEE TABLE) MUST BE IN PLACE WHEN THE FURNACE IS INSTALLED WITH SIDE AIR RETURN DUCTS. FAILURE TO INSTALL A BASE PLATE COULD CAUSE PRODUCTS OF COMBUSTION TO BE CIRCULATED INTO THE LIVING SPACE AND CREATE POTENTIALLY HAZARDOUS CONDITIONS.

| FURNACE WIDTH IN. [mm] | SOLID BOTTOM KIT NO. | BASE PLATE NO. | BASE PLATE SIZE IN. [mm] |
|--------------------------------------|----------------------------|-------------------|--|
| 14 [356] | RXGB-D14 | AE-61874-01 | 11 ⁵ / ₈ x 23 ⁹ / ₁₆ [295 x 598] |
| 17 ¹ / ₂ [445] | RXGB-D17 | AE-61874-02 | 15 ¹ / ₈ x 23 ⁹ / ₁₆ [384 x 598] |
| 21 [533] | RXGB-D21 | AE-61874-03 | 18 ⁵ / ₈ x 23 ⁹ / ₁₆ [473 x 598] |
| 24 ¹ / ₂ [622] | RXGB-D24 | AE-61874-04 | 25 ⁵ / ₈ x 23 ⁹ / ₁₆ [651 x 598] |

For High Altitudes

OPTION CODE FOR HIGH ALTITUDE: U.S.

None required for high altitudes.

HIGH ALTITUDE CONVERSION KITS: U.S.

None required for high altitudes.

80+ HIGH ALTITUDE INSTRUCTIONS

CAUTION: Always follow National Fuel Gas Code (NFGC) guidelines when converting for high altitudes.

High altitude option codes are not required for these models. However, the burner orifice size needs to be recalculated and verified at elevations above 2000 ft. See Installation Instructions for more information.

[] Designates Metric Conversions



GENERAL TERMS OF LIMITED WARRANTY*

WeatherKing will furnish a replacement for any part of this product which fails in normal use and service within the applicable period stated, in accordance with the terms of the limited warranty.

Parts Five (5) Years
Heat Exchanger Ten (10) Years

***For complete details of the Limited and Conditional Warranties, including applicable terms and conditions, contact your local contractor or the Manufacturer for a copy of the product warranty certificate.**

Before proceeding with installation, refer to installation instructions packaged with each model, as well as complying with all Federal, State, Provincial, and Local codes, regulations, and practices.

© 2022 Rheem Manufacturing Company. WeatherKing trademarks owned by Rheem Manufacturing Company.

"In keeping with its policy of continuous progress and product improvement, WeatherKing reserves the right to make changes without notice."

WeatherKing • 5600 Old Greenwood Road
Fort Smith, Arkansas 72908 • www.weatherking.com