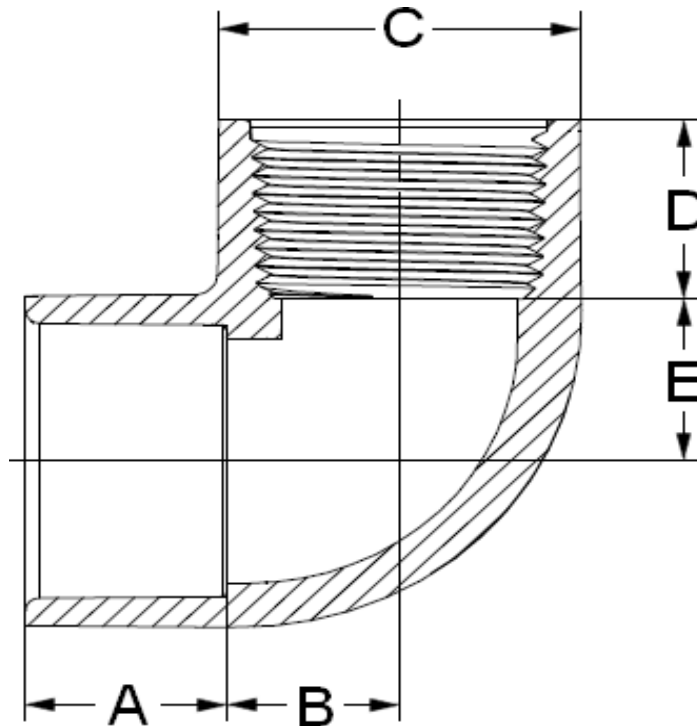


# Laying Length

SCHEDULE 40

## ELBOW 90° (SLIP x THREAD)



### INJECTION MOLDED FITTING

Part #	Description	A	B	C	D	E
407-005	ELBOW 90 (SLIP x THREAD) 1/2 SCH40	0.70	0.53	1.08	0.68	0.42
407-007	ELBOW 90 (SLIP x THREAD) 3/4 SCH40	0.75	0.58	1.31	0.75	0.58
407-010	ELBOW 90 (SLIP x THREAD) 1 SCH40	0.90	0.76	1.60	0.87	0.79