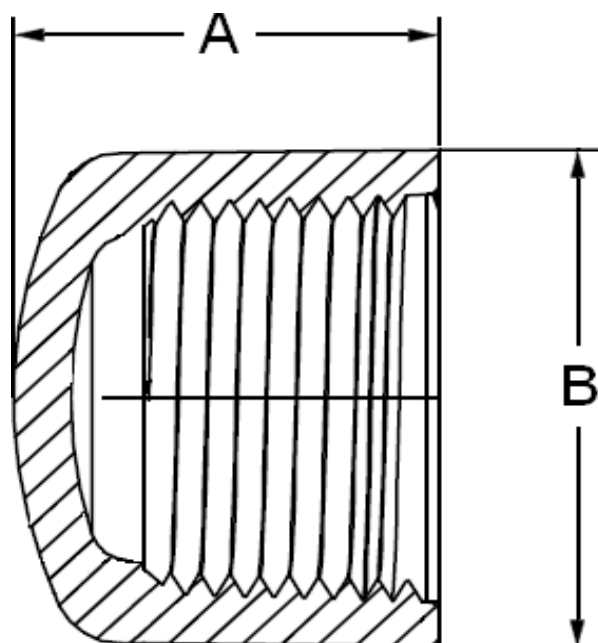


# Laying Length

**SCHEDULE 40**

## CAP THREAD



## INJECTION MOLDED FITTING

Part #	Description	A	B
448-005	CAP THREAD 1/2 SCH40	0.97	1.07
448-007	CAP THREAD 3/4 SCH40	1.06	1.28
448-010	CAP THREAD 1 SCH40	1.27	1.59
448-025	CAP THREAD 2 1/2 SCH40	2.31	3.28
448-030	CAP THREAD 3 SCH40	2.41	4.00
448-040	CAP THREAD 4 SCH40	2.69	5.00