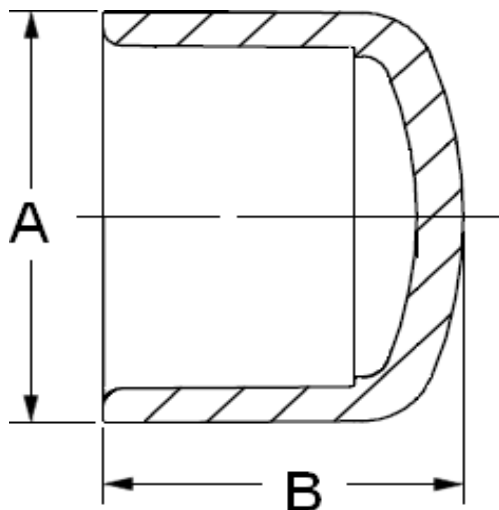


Laying Length

SCHEDULE 40

CAP SLIP



INJECTION MOLDED FITTING

Part #	Description	A	B
447-005	CAP SLIP 1/2 SCH40	1.08	0.99
447-007	CAP SLIP 3/4 SCH40	1.30	1.08
447-010	CAP SLIP 1 SCH40	1.60	1.27
447-012	CAP SLIP 1 1/4 SCH40	1.96	1.39
447-015	CAP SLIP 1 1/2 SCH40	2.22	1.57
447-020	CAP SLIP 2 SCH40	2.71	1.79
429-025	COUPLING 2 1/2 SCH40	3.31	2.56
447-030	CAP SLIP 3 SCH40	4.00	2.91
429-040	COUPLING 4 SCH40	5.06	3.13