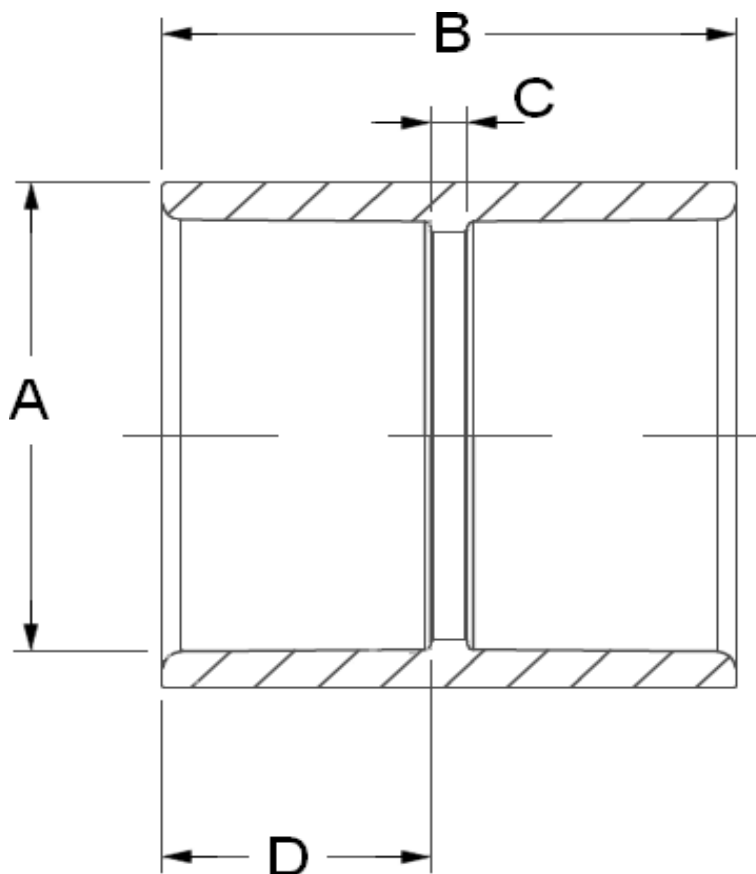


Laying Length

SCHEDULE 40

COUPLING



INJECTION MOLDED FITTING

Part #	Description	A	B	C	D
429-005	COUPLING 1/2 SCH40	1.09	1.51	0.13	0.69
429-007	COUPLING 3/4 SCH40	1.29	1.57	0.10	0.74
429-010	COUPLING 1 SCH40	1.60	1.90	0.10	0.90
429-012	COUPLING 1 1/4 SCH40	1.96	2.04	0.15	0.95
429-015	COUPLING 1 1/2 SCH40	2.21	2.37	0.15	1.11
429-020	COUPLING 2 SCH40	2.71	2.49	0.37	1.17
429-025	COUPLING 2 1/2 SCH40	3.31	3.75	0.19	1.78
429-030	COUPLING 3 SCH40	4.00	3.97	0.19	1.89
429-040	COUPLING 4 SCH40	5.06	4.25	0.25	2.00